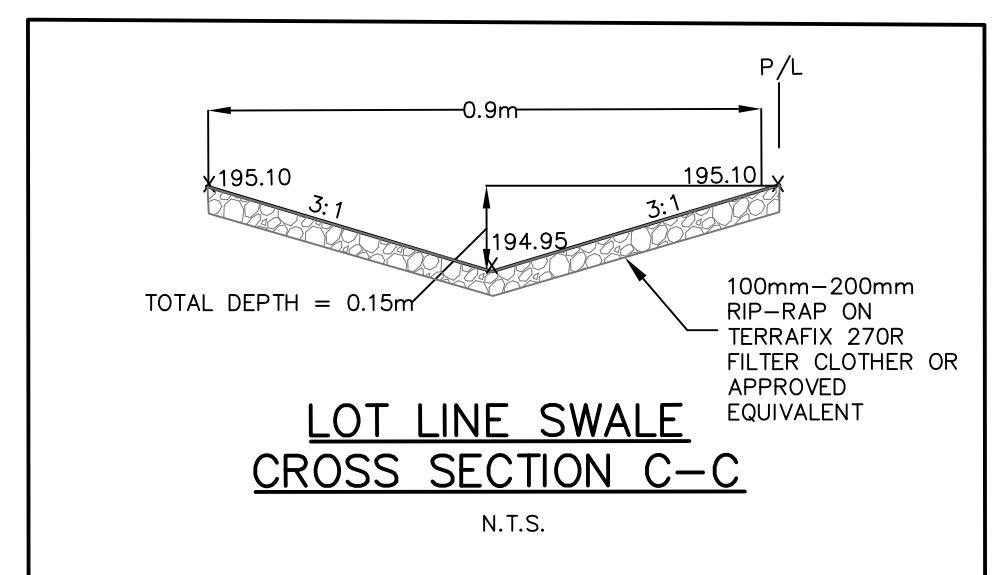
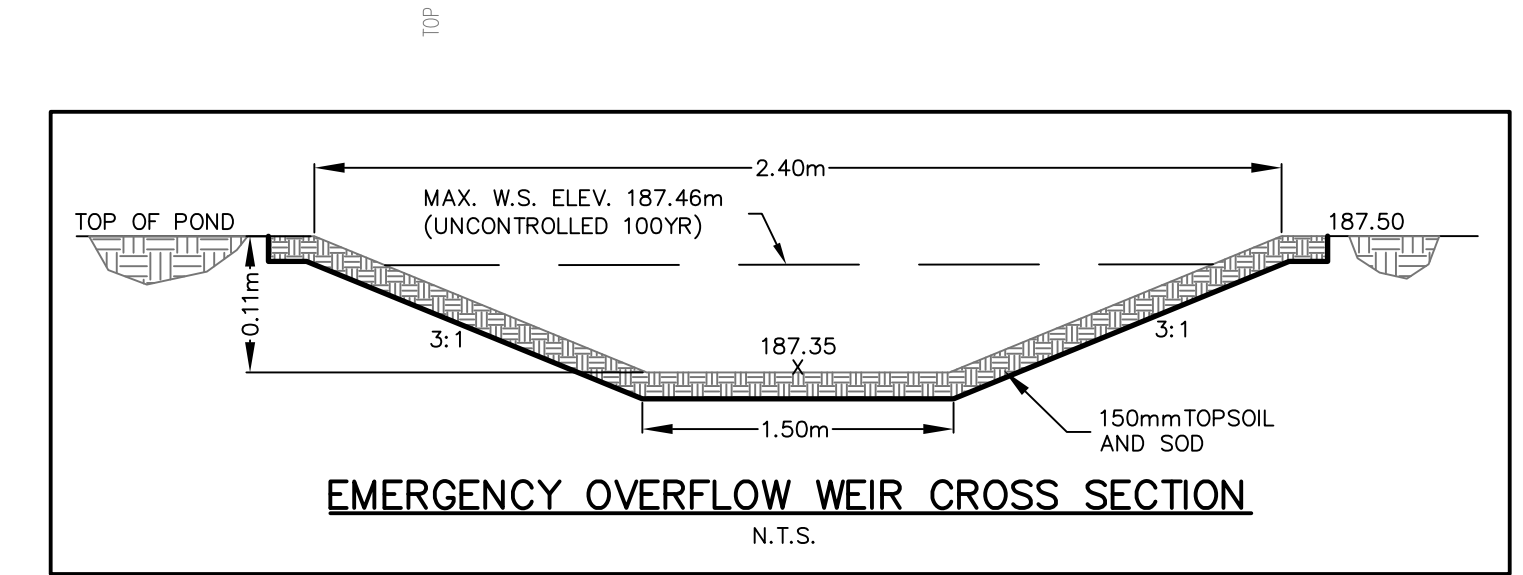
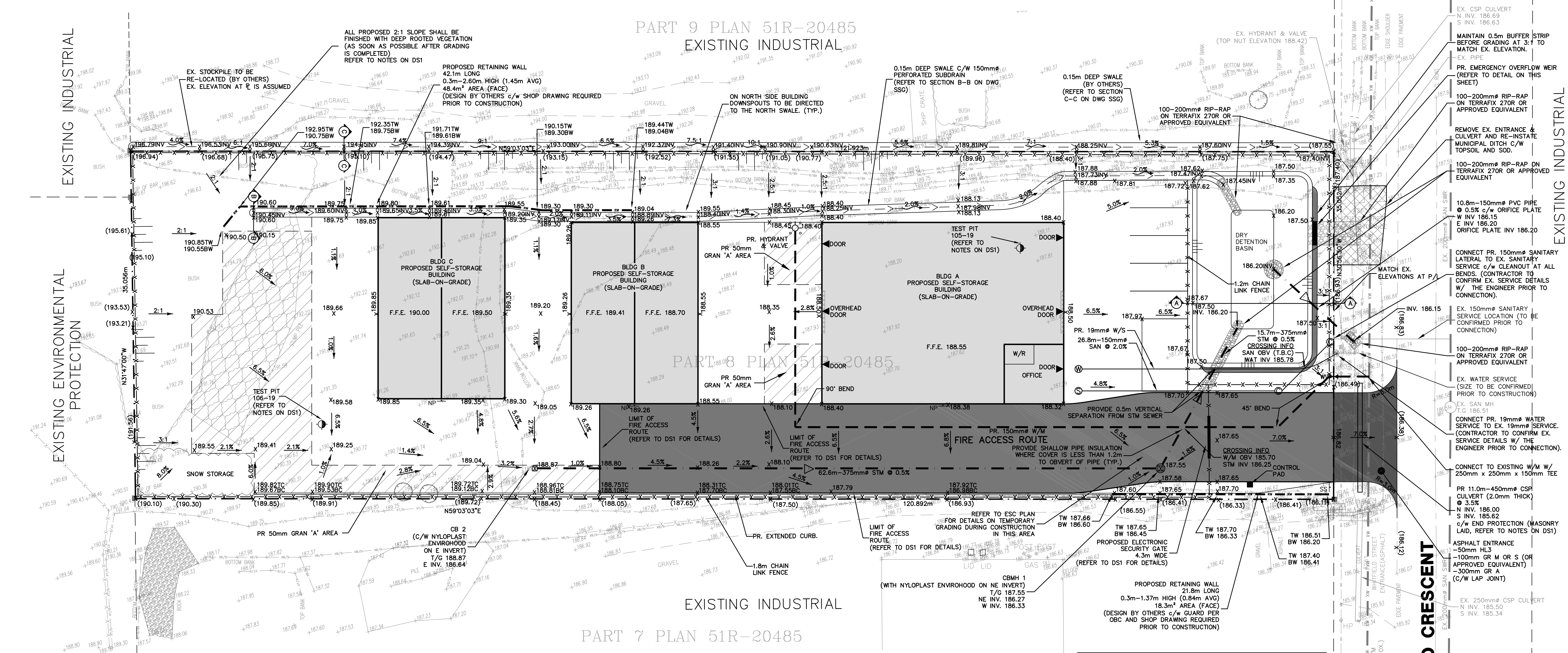


- Legend:**
- EXISTING FEATURES (EX)**
- EX SWB EX STD IRON BAR
  - EX IB EX IRON BAR
  - EX UP EX UTILITY POLE
  - EX BELL PED EX BELL PED
  - EX HYDRO TRANSFORMER
  - EX WS EX WATER SERVICE
  - EX HYD EX FIRE HYD.
  - EX ST EX ST NAME SIGN
  - EX STOP SIGN EX STOP SIGN
  - EX ELEVATION EX ELEVATION
  - EX FENCE EX FENCE
  - EX U/G GASMAIN EX U/G GASMAIN
  - EX U/G BELL EX U/G BELL
  - EX WATERMAIN & VALVE EX WATERMAIN & VALVE
  - EX SAN @ 0.0% EX SAN SEWER & MH
  - EX STM @ 0.0% EX STM SEWER & MH
- PROPOSED FEATURES (PR)**
- NS PR STREET NAME SIGN
  - PR STOP SIGN PR STOP SIGN
  - PR SILT FENCE PR SILT FENCE
  - PR STREET LIGHT PR STREET LIGHT
  - PR WATER SERVICE PR WATER SERVICE
  - PR SAN SERVICE PR SAN SERVICE
  - PR STM SERVICE PR STM SERVICE
  - PR HYDRO TRANSFORMER PR HYDRO TRANSFORMER
  - PR WATERMAIN PR WATERMAIN
  - PR FIRE HYDRANT PR FIRE HYDRANT
  - PR WATER VALVE PR WATER VALVE
  - PR SAN SEWER PR SAN SEWER
  - PR SANITARY MANHOLE PR SANITARY MANHOLE
  - PR STM SEWER PR STM SEWER
  - PR CATCHBASIN MANHOLE PR CATCHBASIN MANHOLE
  - PR MANHOLE PR MANHOLE
  - PR CATCHBASIN PR CATCHBASIN
  - PROPOSED ELEVATION PROPOSED ELEVATION
  - PR MATCH EXISTING ELEVATION (INTERPOLATED) PR MATCH EXISTING ELEVATION (INTERPOLATED)
  - PR JUNIPER COMMUNIS (GROUND JUNIPER) POTTED PR JUNIPER COMMUNIS (GROUND JUNIPER) POTTED
  - PR MISANTHUS SINENSIS (STRIPED GRASS) POTTED PR MISANTHUS SINENSIS (STRIPED GRASS) POTTED
  - PR BUILDING ENTRANCE PR BUILDING ENTRANCE
  - SLOPE DIRECTION SLOPE DIRECTION
  - PR SWALE PR SWALE
  - PR SILT FENCE PR SILT FENCE
  - PR STRAW BALE PR STRAW BALE
  - PR MUDMAT PR MUDMAT
  - F.F.E FINISH FLOOR ELEVATION
  - PR FIRE ACCESS ROUTE (HEAVY DUTY) PR FIRE ACCESS ROUTE (HEAVY DUTY)
  - PR ASPHALT ENTRANCE PR ASPHALT ENTRANCE
  - PR LIGHT DUTY PAVEMENT PR LIGHT DUTY PAVEMENT
  - PR 50mm GRANULAR A PR 50mm GRANULAR A



FEATURE	ELEVATION	VOLUME
BASE OF DRY DETENTION BASIN (ACTIVE STORAGE VOLUMES)	186.20m	0m³
2 YR HWL	186.68m	37.20m³
5 YR HWL	186.93m	54.38m³
10 YR HWL	186.91m	66.02m³
25 YR HWL	187.09m	92.67m³
50 YR HWL	187.22m	119.09m³
100 YR HWL	187.32m	142.02m³
TOP OF BASIN	187.50m	187.20m³

- PHASING**
1. PHASE 1 INCLUDES CONSTRUCTION OF BUILDING A AND SITE EARTHWORKS
  2. PHASE 2 INCLUDES CONSTRUCTION OF BUILDINGS B AND C

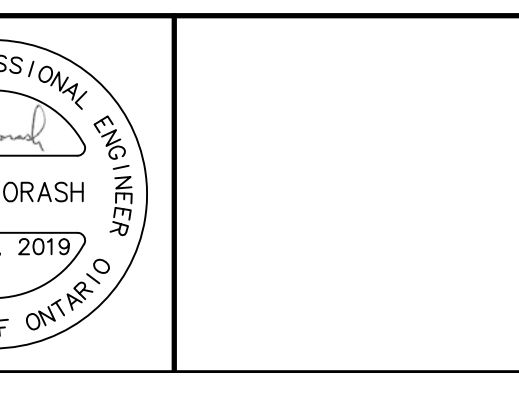
- GENERAL NOTES:**
1. PROPERTY LINE INFORMATION IS TAKEN FROM SURVEY PLAN 51R-20485 DATED FEB. 7, 1990 PREPARED BY HERB MELLISH, O.L.S.
  2. TOPOGRAPHIC SURVEY INFORMATION IS TAKEN FROM DEMTECH SERVICES INC. DATED MARCH 2019.
  3. TEST PIT INFORMATION TAKEN FROM GEOTECHNICAL INVESTIGATION REPORT PREPARED BY CAMBIUM INC., DATED APRIL 2019.
  4. FOR DETAILS ON EXTERIOR LIGHTING REFER TO THE "LIGHTING CALCULATIONS STUDY" PREPARED BY IDEAL SUPPLY, DATED APRIL 16, 2019.

**CAUTION**  
CONTRACTOR TO DETERMINE LOCATION OF EXISTING UTILITIES PRIOR TO CONSTRUCTION.

**Notes:**

1. Unless noted otherwise, the measurements and distances shown on this drawing are shown in meters.
2. Do not scale drawings.
3. It is the contractor's responsibility to verify all dimensions, levels and datums on site and report any discrepancies or omissions to WMI & Associates Ltd. prior to construction.
4. This drawing is to be read and understood in conjunction with all other relevant documents applicable to this project.
5. This drawing is the exclusive property of WMI & Associates Ltd. and the reproduction of any part of this document without prior written consent is strictly prohibited.

**Benchmark:** 202.945m  
TOP NUT OF EXISTING FIRE HYDRANT LOCATED ON THE NORTH SIDE OF HIGHWAY No.12, APPROXIMATELY 200m WEST OF THE INTERSECTION OF WILLIAM STREET AND HIGHWAY No.12.



No.	Issue / Revision	Date
1	INTERNAL REVIEW	JUNE 21, 2019
2	FIRST SUBMISSION	JULY 8, 2019
3	SECOND SUBMISSION	AUG. 16, 2019
4	THIRD SUBMISSION	OCT. 9, 2019

**Client:** Jason Redman

**265 WHITFIELD CRESCENT**  
**SITE SERVICING & GRADING PLAN**

**wmi**  
WMI & Associates Limited  
119 Collier Street  
Barrie, Ontario  
L4M 1H5  
Ph 705-797-2027  
www.wmiengineering.ca

Drawn By: AW  
Checked By: DW  
Scale: 1:200  
Project No: 19-543  
Drawing No: SSG